

Chair Spacer

Abstandshalter offen



Easy to use distance holder for various steel diameters for horizontal reinforcement.



Einfacher Abstandshalter für eine Vielzahl von Stahldurchmessern für horizontale Bewehrung.



Article No. Artikel Nr.	Dimensions Abmessungen	Sales unit Bag / Beutel	Verkaufseinheit Sack / Outs.Bag	Weight Bag / Beutel	Gewicht Sack / Outs.Bag
1-103-11-XX	10 mm / 0,4"	1.000 pcs.	5000 pcs.		
1-104-11-XX	15 mm / 0,6"	1.000 pcs.	2500 pcs.		
1-105-11-XX	20 mm / 0,8"	500 pcs.	2500 pcs.		
1-106-11-XX	25 mm / 1,0"	500 pcs.	2500 pcs.		
1-107-11-XX	30 mm / 1,2"	500 pcs.	2500 pcs.		

XX = colour code: 33 = grey (standard); 11 = white

**Distance Shims with holes
80 x 50 mm / stackable**

**Montageplatte mit Löchern
80 x 50mm / stapelbar**



Stable distance shims for adjustments with 80x50mm, stackable.



Distanzplatte zum Justieren, stapelbar (ohne seitliches Verrutschen).



Article No. Artikel Nr.	Dimensions Abmessungen	Sales unit Bag / Beutel	Verkaufseinheit Sack / Outs.Bag	Weight Bag / Beutel	Gewicht Sack / Outs.Bag
1-096-02-33	2 mm / 0,08"	1.000 pcs.	5000 pcs.		
1-096-03-33	3 mm / 0,12"	1.000 pcs.	2500 pcs.		
1-096-05-33	5 mm / 0,2"	500 pcs.	2500 pcs.		
1-096-10-33	10 mm / 0,4"	500 pcs.	2500 pcs.		
1-096-20-33 *	20 mm / 0,8"	500 pcs.	2500 pcs.		

Standard colour for all versions grey / darkgrey / black.

* Soon available.

Piling Wheel

Aufsteckbarer Abstandshalter



A clip-on pile cage spacer to provide a quick, reliable method of spacing for bored piling and diaphragm walling.



Aufsteckbarer Abstandshalter für die schnelle und verlässliche Anwendung.



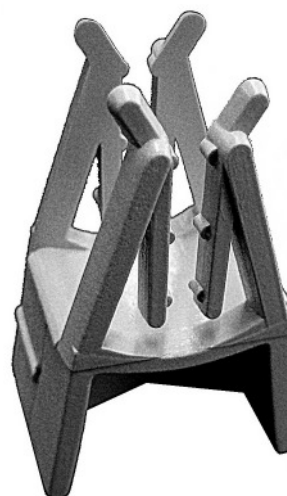
Article No. Artikel Nr.	Dimensions Abmessungen	Sales unit Bag / Beutel	Verkaufseinheit Palette / Pallet	Weight Bag / Beutel	Gewicht Palette / Pallet
1-114-11-33	75 mm / 8-16mm	100 pcs.	8000 pcs.		

Colour code: 33 = grey (standard)

Clamping jaws

Klemmböckchen

Cavaletes



Distance holder made of plastic used at the cross point of the reinforcement for high stability - available in grey and white. **New: Also available in 10mm.**



Abstandhalter aus Plastik mit großer Stabilität zur Klemmung an den Kreuzungen der Baustahlmatte - Lieferbar in grau und weiss. **Neu: Jetzt auch in Höhe 10mm lieferbar.**



Separador feito em plástico usado na transposição da malha de aço para alta estabilidade - disponível nas cores cinza e branco.

Article No. Artikel Nr.	Dimensions Abmessungen	Sales unit Bag / Beutel	Verkaufseinheit Sack / Sack	Weight Bag / Beutel	Gewicht Sack / Sack
1-100-11-XX	10 mm / 0,4"	1000 pcs	5000 pcs	2,5 kg	12,5 kg
1-102-11-XX	15 mm / 0,6"	1000 pcs	5000 pcs	3,3 kg	15,8 kg
1-103-11-XX	20 mm / 0,8"	500 pcs	2500 pcs	2,2 kg	11,1 kg
1-722-00-XX	25 mm / 1,0"	500 pcs	2500 pcs	2,7 kg	13,8 kg
1-723-00-XX	30 mm / 1,2"	500 pcs	2000 pcs	3,1 kg	12,5 kg
1-724-00-XX	35 mm / 1,4"	250 pcs	1500 pcs	2,2 kg	13,1 kg
1-725-00-XX	40 mm / 1,6"	250 pcs	1250 pcs	2,5 kg	12,4 kg
1-727-00-XX	50 mm / 2,0"	125 pcs	1000 pcs	1.7 kg	13,6 kg

XX = colour code: 33 = grey; 11 = white

Star-Spacer

Abstandshalter "Stern"



Universal distance holder for standing and lying reinforcement. Steel diameter from 4 to 10mm.



Der vielseitige Abstandhalter für stehende oder liegende Bewehrung. Je nach gewünschter Betonüberdeckung. Stahldurchmesser von 4 - 10 mm.



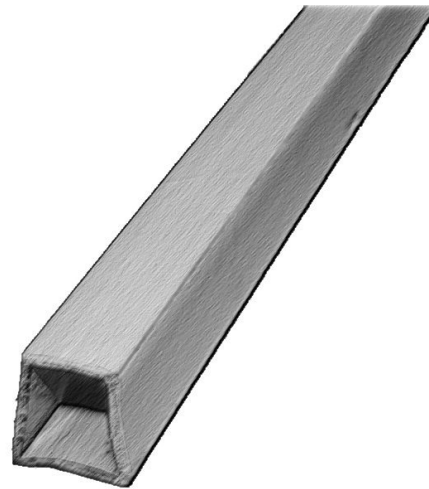
Versátil distanciador para a armadura vertical ou horizontal. Utilizável para varão de 4 à 10 mm de diâmetro.

Article No. Artikel Nr.	Dimensions Abmessungen	Sales unit Bag / Beutel	Verkaufseinheit Sack / Sack	Weight Bag / Beutel	Gewicht Sack / Sack
1-099-11-XX	15 mm / 0,6"	1000 pcs	5000 pcs	2,7 kg	13,5 kg

XX = colour code: 33 = grey; 11 = white

Waterdrip and Void Former 20mm

Trapezprofil 20mm



Universal waterdrip and void former – very stable.

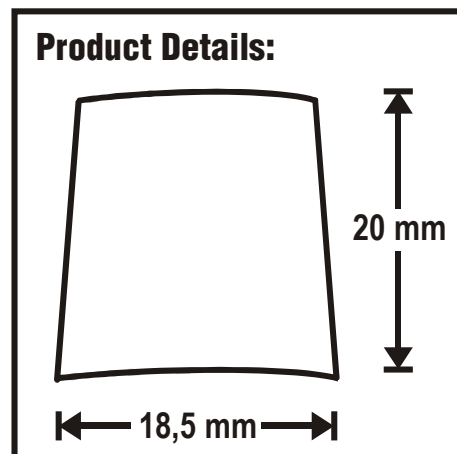


Sehr stabile Wassernase.



Article No. Artikel Nr.	Dimensions Abmessungen	Sales unit Bund / Bundle	Verkaufseinheit Palette / Pallet	Weight Bund / Bundle	Gewicht Palette / Pallet
1-930-XX-33	20mm / 0,8"	100m		6,6 kg	

XX = length code: 00 = 2m; 01 = 2,5m; 02 = 3,0m / standard length = 2,50m



Delta Profile (Crack Inducer)

Delta Profil



Plastic profile to induce a controlled crack in continuously laid concrete.



Kunststoffprofil zur Verhinderung von Rissbildung in Betonböden.

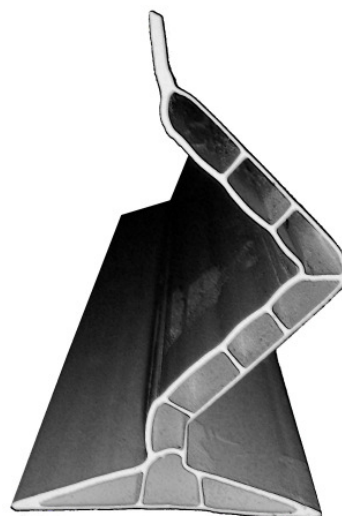


Article No. Artikel Nr.	Dimensions Abmessungen	Sales unit Bund / Bundle	Verkaufseinheit Palette / Pallet	Weight Bund / Bundle	Gewicht Palette / Pallet
1-951-XX-11	40 mm	100m		22 kg	

Standard colour: white / XX = length code: 00 = 2m; 01 = 2,5m; 02 = 3,0m / 03 = 2,50m / 04 = 4,00m
Standard length = 2,50m

Z-Joint Profile (Crack Inducer)

Z-Verbindungs-Profil



An easily applied preformed PVC profile that induces controlled cracking in continuously laid concrete or screed specially suitable for heavy traffic applications. It is specially design to transfer the load from one bay on to the next with the moving load.



Kunststoffprofil zur Verhinderung von Rissbildung insbesondere für stark belastete Betonböden.



Article No. Artikel Nr.	Dimensions Abmessungen	Sales unit Bund / Bundle	Verkaufseinheit Palette / Pallet	Weight Bund / Bundle	Gewicht Palette / Pallet
1-950-XX-33	75 mm	100m		38,6 kg	

Standard colour: grey / XX = length code: 00 = 2m; 01 = 2,5m; 02 = 3,0m / 03 = 2,50m / 04 = 4,00m
Standard length = 2,50m